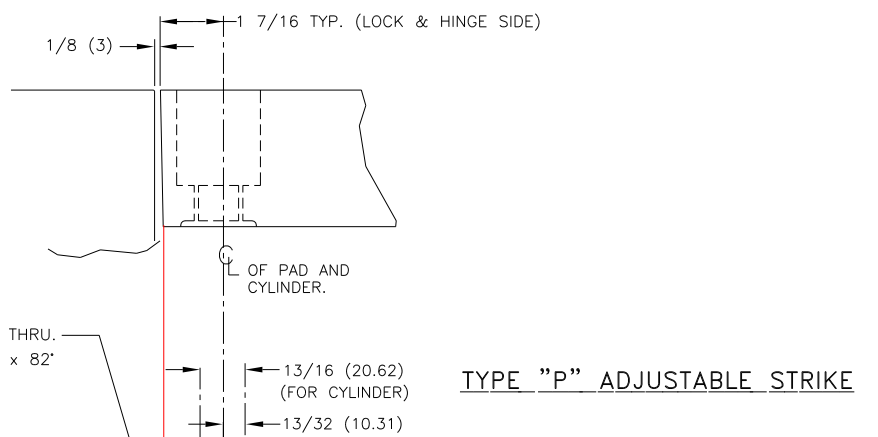
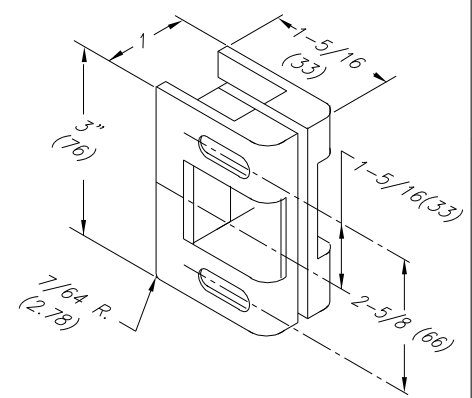
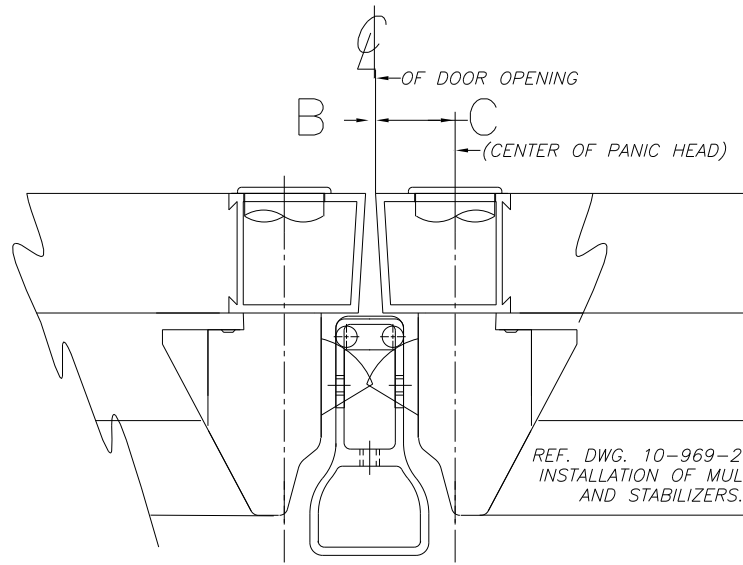
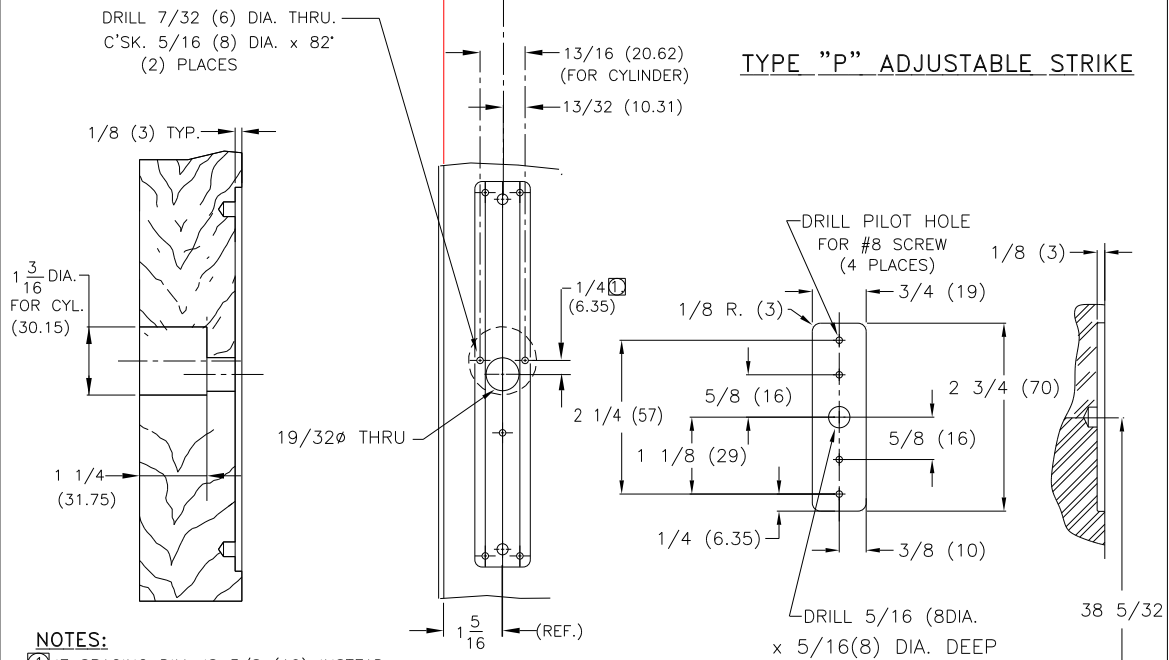


| | |
|----------------|-------------|
| B | C |
| DOOR CLEARANCE | |
| 1/16 (1.58) | 1 5/16 (33) |
| 1/32 (.787) | 1 9/32 (32) |

TYPE "P" ADJUSTABLE STRIKE



TYPE "P" ADJUSTABLE STRIKE



NOTES:
 ① IF SPACING DIM. IS 3/8 (10) INSTEAD OF 1/4 (6.35) AS SHOWN, SWITCH PLATES AND DRILL & C'SK. TO SUIT.

ACTIVE SIDE ROUTING FOR PLATE #30-2369
 INACTIVE SIDE ROUTING FOR PLATE #30-1181
 BOTTOM OF DOOR

PACKAGE NO. 30-2521

2095 WOOD APPLICATION H.R.B. SHOWN
 ROUTING OF WOOD DOOR FOR SUPPORT PLATES R.H.R.B. OPPOSIT

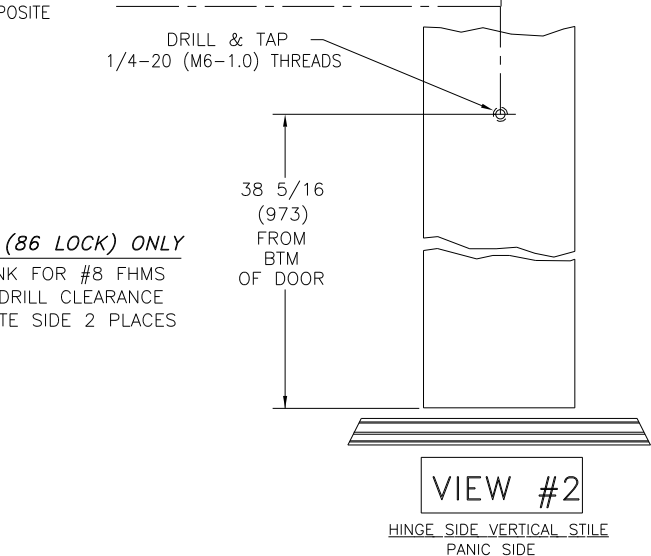
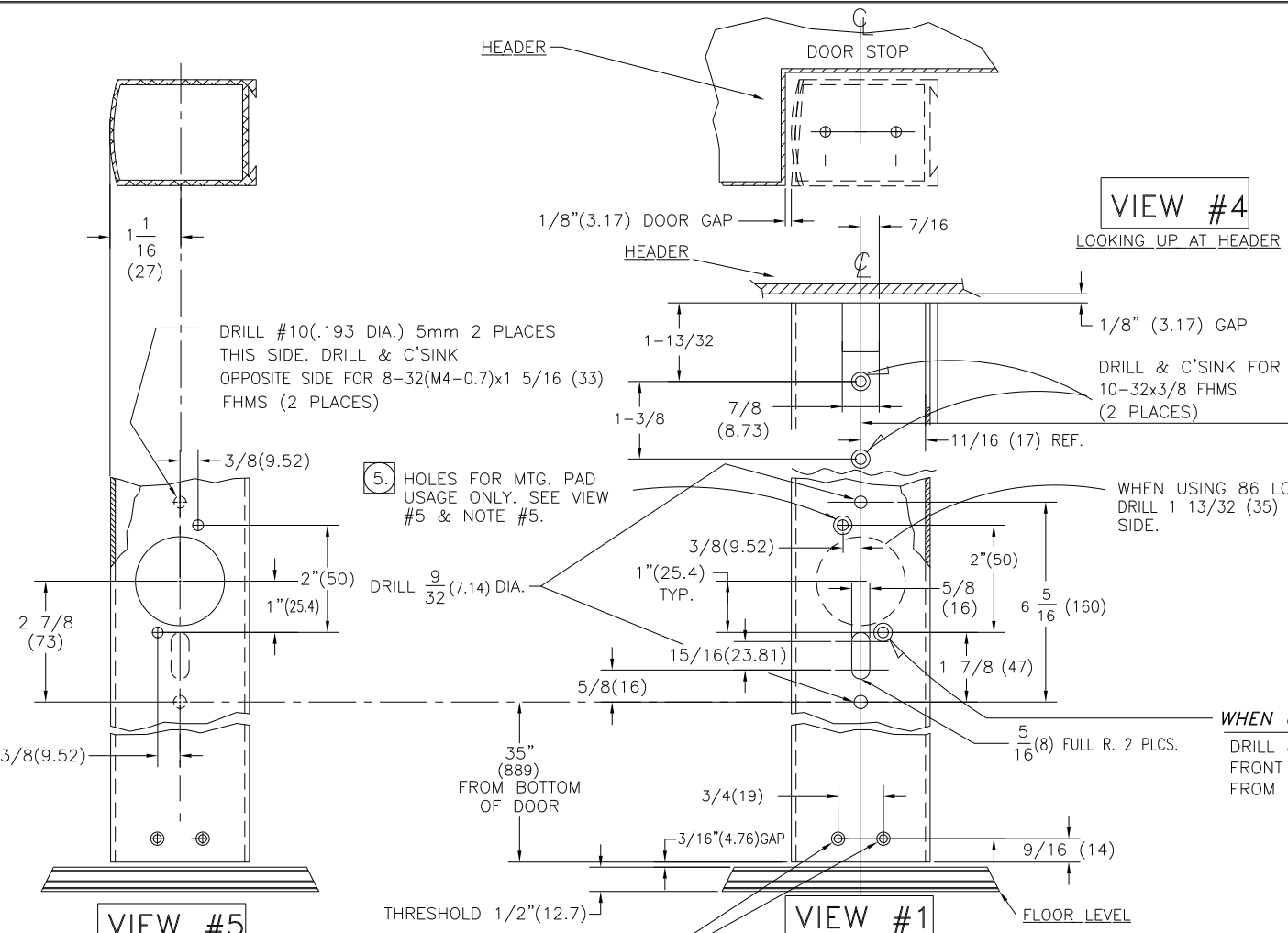
| | | | | |
|---|-------------------|-----------|----|---------|
| DIMENSIONAL TOLERANCES UNLESS OTHERWISE SPECIFIED | | APPROVALS | | DATE |
| DECIMAL DIMENSIONS .XX | ± .010 | APPROVED | | |
| DECIMAL DIMENSIONS .XXX | ± .005 | CHECKED | | |
| ANGULAR ± ° | FRACTIONAL ± 1/64 | DRAWN | RM | 8.22.03 |
| MATERIAL | | SCALE | | NONE |



| | | | | | |
|------------|------------|---|--|---------------------|------|
| FILE NO. | MATERIAL | SCALE | | SHEET 1 OF 1 SHEETS | |
| NEXT ASSY. | FINISH | NONE | | DWG. NO. | REV. |
| QTY. USED | HEAT TREAT | 2095 xWOOD APPLICATION AND OPTIONAL STRIKES | | 10-1120 | B |

ROUTING INSTRUCTIONS:

1. PREPARE INSIDE FACE (PANIC SIDE) OF ACTIVE STILE PER VIEW #1 & TEMPLATE 10-474.
2. PREPARE INSIDE FACE (PANIC SIDE) OF HINGE STILE PER VIEW #2 & TABLE "A".
3. PREPARE THRESHOLD PER VIEW #3.
4. PREPARE HEADER PER VIEW #4.
5. IF LOCK CYLINDER IS BEING USED SEE DWG. 10-476 TEMPLATE
6. FOR MOUNTING AND ADJUSTMENTS OF THE 2085C SEE OPPOSITE SIDE THIS PAGE. (DWG. 10-934 SHEET 1 OF 2)



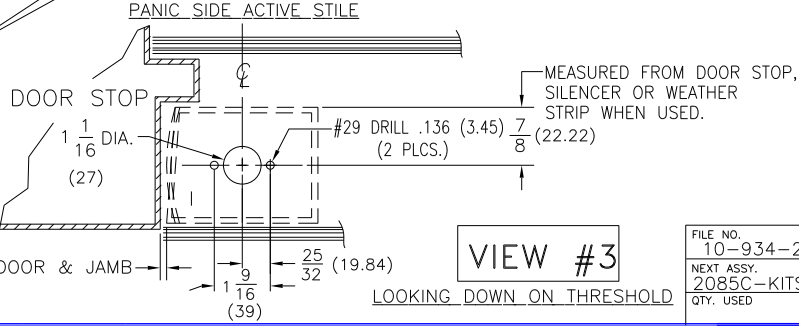
VIEW #5
 OUTSIDE (LOCK SIDE) OF ACTIVE DOOR STILE SHOWING PREP. WHEN USING 30-821J LOCK CYLINDER MOUNTING PAD.

DRILL & C'SINK FOR 10-32(M5-.08)x1/2(12.7) SELF-TAP SCR. (2 PLCS.)

5. HOLES FOR MTG. PAD USAGE ONLY. SEE VIEW #5 & NOTE #5.

VIEW #4
 LOOKING UP AT HEADER

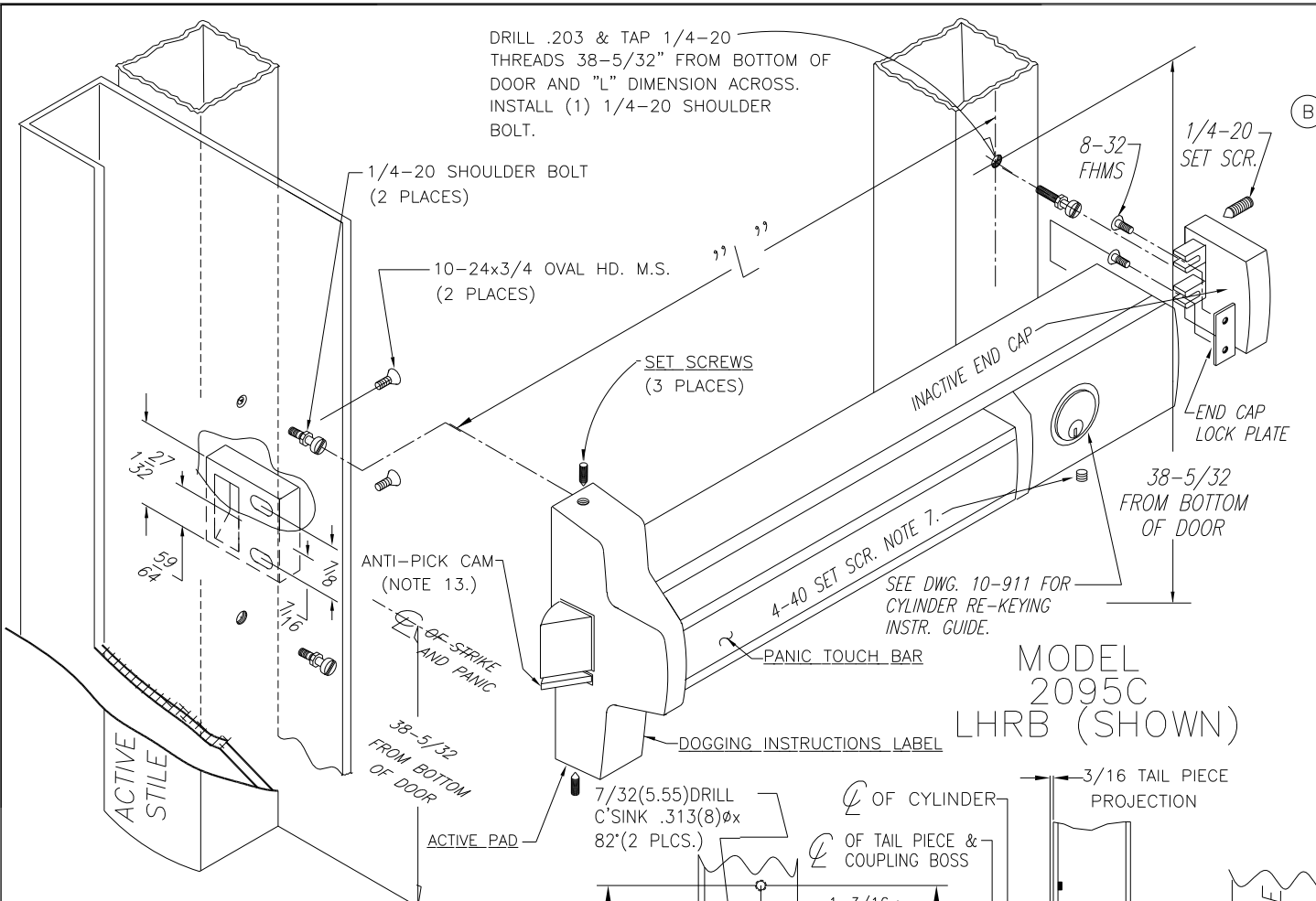
WHEN USING (86 LOCK) ONLY
 DRILL & C'SINK FOR #8 FHMS FRONT SIDE. DRILL CLEARANCE FROM OPPOSITE SIDE 2 PLACES



VIEW #3
 LOOKING DOWN ON THRESHOLD

| DIMENSIONAL TOLERANCES UNLESS OTHERWISE SPECIFIED | | APPROVALS | DATE |
|---|--|------------------------|--------------|
| DECIMAL DIMENSIONS .XX ± .010 | | CHECKED | |
| DECIMAL DIMENSIONS .XXX ± .005 | | DRAWN | JJM 10/19/96 |
| ANGULAR ± ° FRACTIONAL ± 1/64 | | SCALE | NONE |
| MATERIAL | | ROUTING INSTRUCTIONS | |
| FINISH | | 2085C CVR PANIC DEVICE | |
| HEAT TREAT | | SHEET 2 OF 2 SHEETS | |
| | | DWG. NO. | REV. |
| | | 10-934 | A |

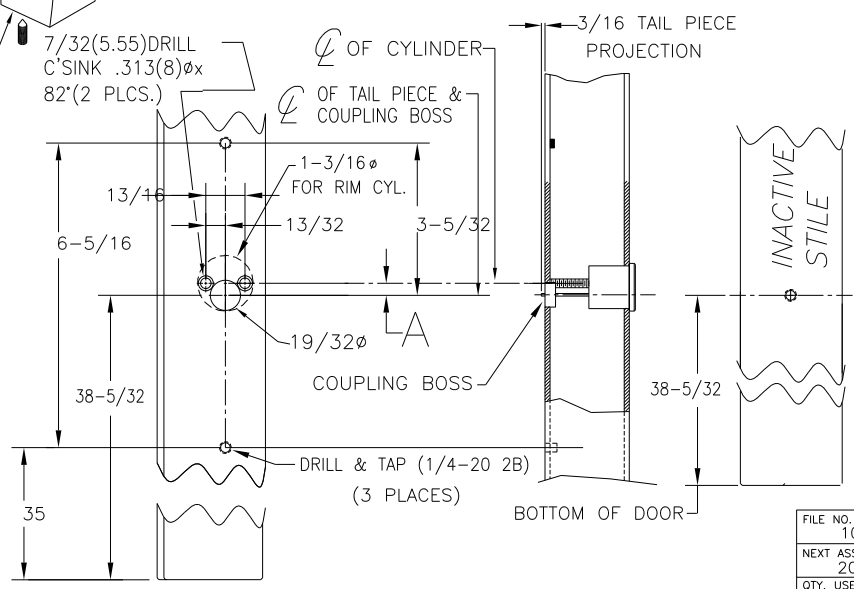
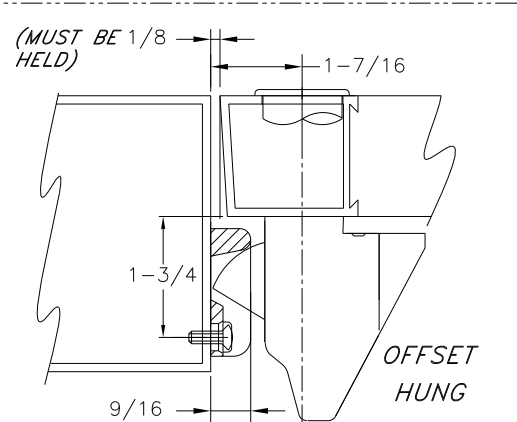




MOUNTING INSTRUCTIONS:

1. PREPARE LOCK STILE PER TEMPLATE NO. 10-916 DRILL CYLINDER MOUNTING HOLES IF REQUIRED.
2. IF OUT SIDE TRIM IS BEING USED, FOLLOW DRILL TEMPLATE 10-997
3. LOCATE CENTERLINE OF CYLINDER ON EXTERIOR OF DOOR AND DRILL IF REQUIRED.
4. TRIM TAIL PIECE TO FIT (3/16" PROJECTION FROM INSIDE FACE OF DOOR).
5. MOUNT CYLINDER AND SECURE WITH MOUNTING SCREWS (SUPPLIED BY LOCK MFRG.)
6. TO LOCATE MOUNTING HOLE ON INACTIVE STILE DRILL & TAP 1/4-20 THDS. 38-5/32 FROM BTM. OF DOOR AND "L" DIM FROM ACTIVE STILE, AND INSTALL SHOULDER BOLT. TO INSTALL ACTIVE PAD INSTALL TWO SHOULDER BOLTS ON STILE.
7. REMOVE INACTIVE END CAP AS SHOWN BY RELEASING 2 EA. 8-32 FHMS. (FOR INSTALLMENT OF LOCK CYLINDER, SEE DWG. 10-911 INSTRUCTION GUIDE.) RELEASE 4-40 SET SCREW, SLIDE COVER PLATE AND ASSEMBLE PER GUIDE 10-911. REINSTALL COVER ASSEMBLY AND THE INACTIVE END CAP INTO PANIC BASE, FINALIZE PANIC ATTACHMENT WITH 1/4-20 SET SCREW.
8. MOUNT EXIT DEVICE AND TIGHTEN (3) 1/4-20 SOC. SET SCR'S. (2) ON ACTIVE PAD (1) ON INACTIVE END OF PANIC DEVICE.
9. TO INSTALL STRIKE LOCATE 10-24 TAPS ON ACTIVE STILE (2 PLACES).
10. MOUNT AND SECURE STRIKE.
11. CHECK OPERATION TO ASSURE THAT ALL PARTS INCLUDING CYLINDER IF BEING USED ARE FUNCTIONING PROPERLY.
12. **DOGGING INSTRUCTIONS**
 TO DOG: :FULLY DEPRESS TOUCH BAR, PUSH DOGGING PIN, THEN RELEASE.
 TO UNDOG PUSH DOGGING PIN UP, BAR WILL RELEASE.
13. WHEN ANTI-PICK CAM IS DEPRESSED BY STRIKE (BY HAVING DOOR CLOSED) LATCH WILL NOT RETRACT.

MODEL
2095C
LHRB (SHOWN)



| FUNCTIONAL CYLINDERS | A | DOOR OPENING | "L" |
|---|----------------|--------------|------------------|
| ILCO LOCKWOOD YALE CORBIN SCHLAGE RUSSWIN WELCH KEIL | 1/4" (6.35) | 36" (914) | 33-13/32" (848) |
| | | 42" (1066) | 39-13/32" (1001) |
| | | 48" (1219) | 45-13/32" (1153) |
| SARGENT | 3/8" (9.53) | | |

B 06/13/00 ADD NOTES FOR OUTSIDE TRIM ECN1384 RM

| | | |
|---|-----------|-------------|
| DIMENSIONAL TOLERANCES UNLESS OTHERWISE SPECIFIED | APPROVALS | DATE |
| DECIMAL DIMENSIONS .XX ± .010 | APPROVED | |
| DECIMAL DIMENSIONS .XXX ± .005 | CHECKED | |
| ANGULAR ± ° FRACTIONAL ± 1/64 | DRAWN | RM 05/11/00 |
| MATERIAL | SCALE | NONE |
| FINISH | NONE | |
| HEAT TREAT | NONE | |

FILE NO. 10-965
 NEXT ASSY. 2095C-KITS
 QTY. USED 1

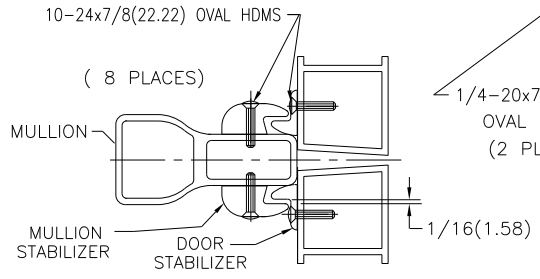
INSTALLATION GUIDE
 2095C RIM DEVICE x "s" STRIKE

SHEET 1 OF 1 SHEETS
 DWG. NO. 10-965
 REV. B

jackson
CORPORATION
 3447 UNION PACIFIC AVE.
 LOS ANGELES, CALIF. 90023

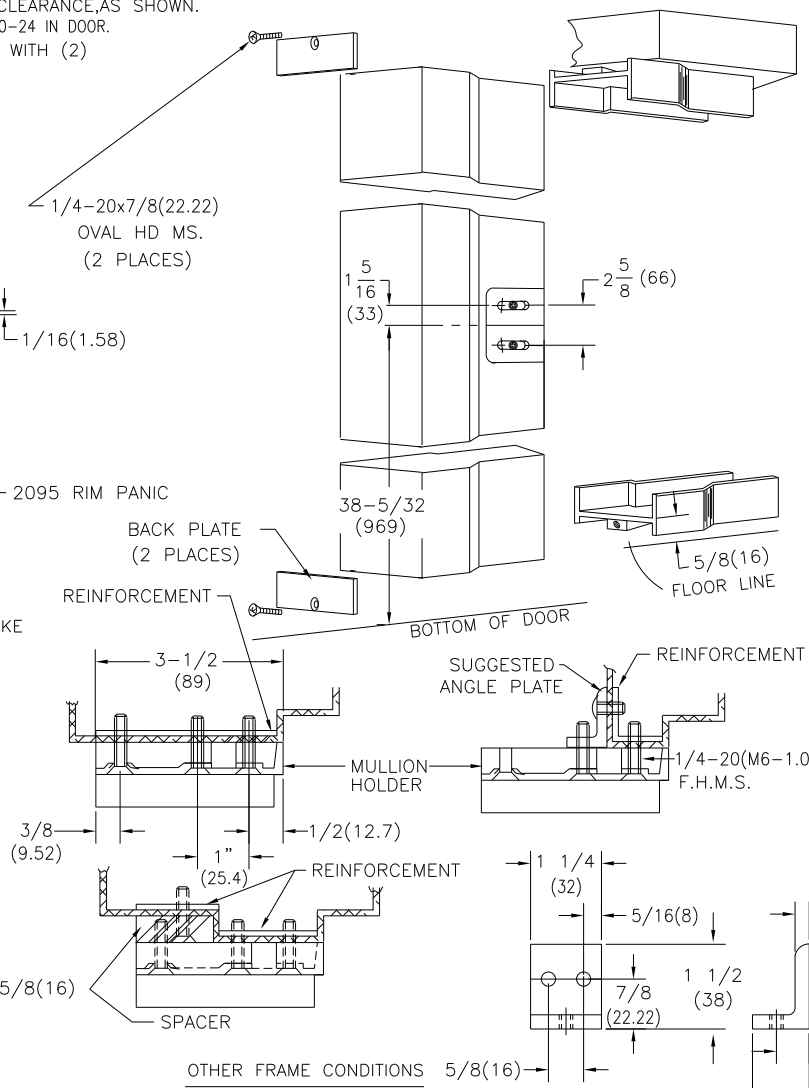
STEP 5.

1. MOUNT MULLION STABILIZERS IN HOLES PROVIDED WITH 2 EA. 10-24x7/8(22.22) OVAL HDMS.
2. CLOSE DOOR AND ALIGN DOOR STABILIZER ON THE DOOR, ALLOWING 1/16"(1.58) FOR CLEARANCE, AS SHOWN.
3. MARK HOLE CENTERS, DRILL AND TAP FOR 10-24 IN DOOR.
4. MOUNT DOOR STABILIZER TO DOOR WITH (2) 10-24x7/8(22.22) O.H.M.S.
5. REPEAT PREP ON OTHER DOOR.



STEP 4.

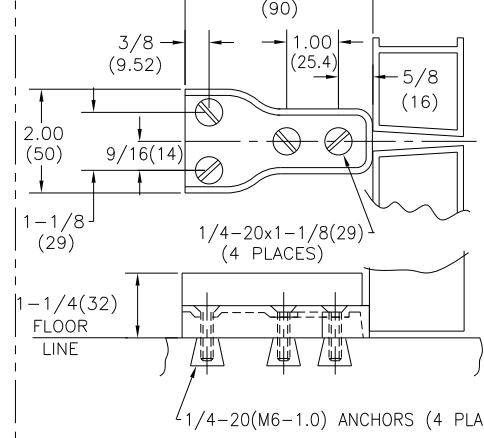
1. SLIP MULLION INTO TOP AND BOTTOM MULLION HOLDERS AS SHOWN, SECURE IN POSITION WITH (2) BACK PLATES & (2) 1/4-20x7/8(22.22) OVAL H.M.S.



NOTE: SPACER, REINFORCEMENT, ANGLE PLATE AND PROPER SCREWS FOR THESE CONDITIONS TO BE SUPPLIED BY OTHERS.

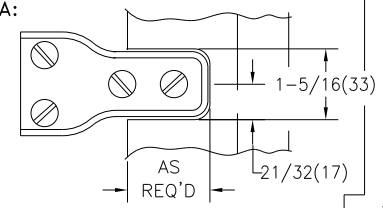
STEP 1.

1. LINE UP AND INSTALL BOTTOM MULLION HOLDER WITH CENTER OF DOOR OPENING AND FLUSH WITH CLOSED DOORS.



2. SECURE BOTTOM MULLION HOLDER WITH (4) 1/4-20 ANCHORS AND (4) 1/4-20x1-1/8(29) F.H.M.S. F.H.M.S. AS SHOWN.

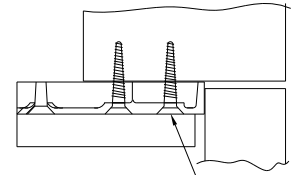
STEP 1 A:



IF THRESHOLD IS USED, IT MUST BE CUT TO FIT BOTTOM MULLION HOLDER AS SHOWN.

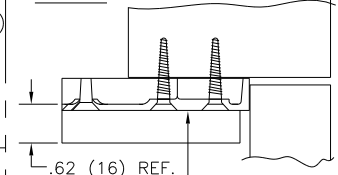
STEP 2.

1. LINE UP AND INSTALL TOP MULLION HOLDER WITH CENTER OF DOOR OPENING AND FLUSH WITH CLOSED DOORS. SECURE WITH (2) #14x1-1/2(38) FL. HD SELF TAPPING SCREWS.

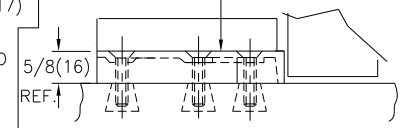


#14x 1-1/2 (38)FH SELF TAP SCREWS (2)

STEP 3.



TRIM TOP END OF MULLION ALLOWING FOR AN OVERALL LENGTH 1/16"(1.58) LESS THAN THIS DIMENSION.



| | | |
|---|--|---------------|
| DIMENSIONAL TOLERANCES UNLESS OTHERWISE SPECIFIED DECIMAL DIMENSIONS .XX ± .010 DECIMAL DIMENSIONS .XXX ± .005 ANGULAR ± ° FRACTIONAL ± 1/64 | APPROVALS APPROVED _____ CHECKED _____ DRAWN R.M. 1/31/97 | DATE _____ |
| MATERIAL | SCALE | NONE |

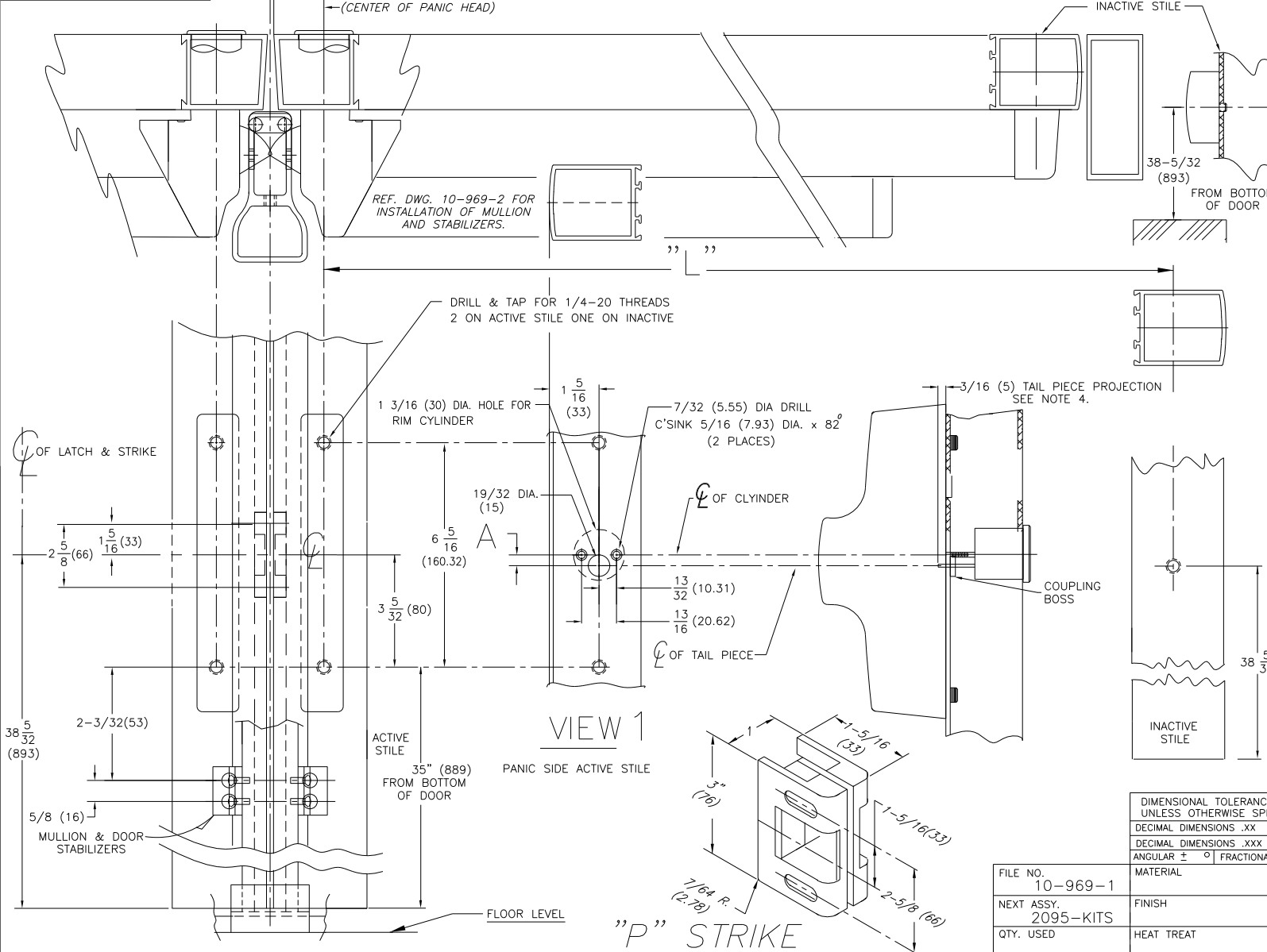
| | | |
|-------------------------|------------|-----------------------|
| FILE NO. 10-969-2 | FINISH | INST. INSTR. 2095x896 |
| NEXT ASSY. 2095 KITS | HEAT TREAT | |
| QTY. USED 1 | | MULLION |

| | |
|---------------------|------|
| SHEET 2 OF 2 SHEETS | REV. |
| DWG. NO. 10-969 | A |



ROUTING INSTRUCTIONS 2095 PANIC:

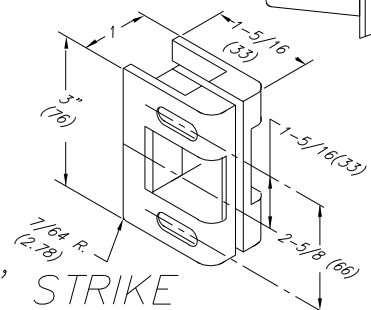
| | |
|-----------------------|-------------|
| "B" DOOR CLEARANCE | "C" |
| 1/16 (1.58) | 1 5/16 (33) |
| 1/32 (.787) | 1 9/32 (32) |



1. PREPARE ACTIVE STILE PER VIEW #1
2. PREPARE INACTIVE STILE PER VIEW #3
3. DRILL CYLINDER MOUNTING HOLES ONLY IF REQUIRED.
NOTE: REF. TABLE FOR "FUNCTIONAL CYLINDERS"
4. TRIM TAIL PIECE TO FIT AS SHOWN
5. MOUNT CYLINDER IN PLACE AND SECURE WITH MOUNTING SCREWS. (SCREWS MUST BE FLUSH WITH DOOR.)
6. DRILL .203(5.15) DIA. AND TAP 1/4-20 THREADS (2 PLACES) ON ACTIVE STILE AND ONE ON THE INACTIVE STILE AT LOCATIONS SHOWN.
7. INSTALL THREE 1/4-20 SHOULDER BOLTS. MOUNT PANIC DEVICE TO STILES AND SECURE EACH 1/4-20 x 1/2 (12.7) SOC. SET SCREWS.
8. CHECK OPERATION TO ASSURE THAT ALL PARTS AND CYLINDERS ARE FUNCTIONING PROPERLY. ADJUST AS REQUIRED.
9. **DOGGING INSTRUCTIONS**
TO DOG: FULLY DEPRESS TOUCH BAR, PUSH DOGGING PIN, THEN RELEASE. TO UNDOG: PUSH DOGGING PIN UP, BAR WILL RELEASE.
10. WHEN ANTI-PICK CAM IS DEPRECATED BY STRIKE (BY HAVING DOOR CLOSED) LATCH WILL NOT RETRACT.

| FUNCTIONAL CYLINDERS | A | DOOR OPENING | " " | " " |
|---|----------------|--------------|-------------------|-----|
| ILCO LOCKWOOD YALE CORBIN SCHLAGE RUSSWIN WELCH KEIL | 1/4" (6.35) | 30" (762) | 28 1/2" (723.9) | |
| | | 36" (914) | 33 3/4" (857.25) | |
| | | 42" (1066) | 39 3/4" (1009.65) | |
| | | 48" (1219) | 45 3/4" (1162.05) | |
| SARGENT | 3/8" (9.53) | | | |

VIEW 3
HINGE SIDE VERTICAL STILE



| | | | | |
|---|-------------------|------------|---------------------------------|---------|
| DIMENSIONAL TOLERANCES UNLESS OTHERWISE SPECIFIED | | APPROVALS | | DATE |
| DECIMAL DIMENSIONS .XX | ± .010 | APPROVED | | |
| DECIMAL DIMENSIONS .XXX | ± .005 | CHECKED | | |
| ANGULAR ± ° | FRACTIONAL ± 1/64 | DRAWN | R.M. | 8/19/99 |
| FILE NO. | 10-969-1 | MATERIAL | SCALE NONE | |
| NEXT ASSY. | 2095-KITS | FINISH | ROUTING INSTRUCTIONS | |
| QTY. USED | | HEAT TREAT | 2095 RIM PANIC x 896 MULLION | |
| | | | SHEET 1 OF 2 SHEETS | REV. |
| | | | DWG. NO. | 10-969 |
| | | | | A |

